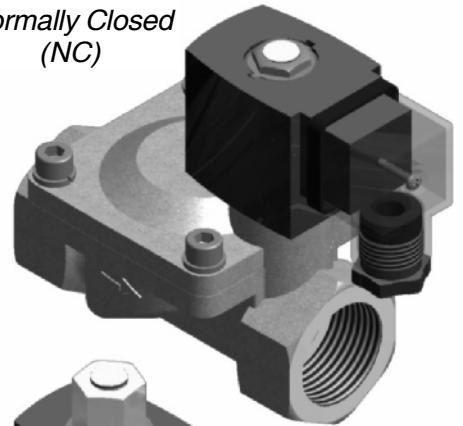


Watermark Series



Normally Closed (NC)



Normally Open (NO)

General Description

An economical general purpose solenoid valve with encapsulated coil and LED connector plug. The soft close function helps reduces water hammer and is suitable for cold or hot water. Typical applications include: Control of potable/domestic water supply - Also suitable for industrial applications.

Technical Specifications

Fluid temperature: -10°C to 80°C

Materials in contact: Body: Stainless Steel 304
 Shading Ring: Copper
 Operator: Stainless Steel

Seat: EPDM

Backing Washer: POM/SS304

Voltage variation: +10% - 10% AC/DC

Duty rate: 100% (class F insulation)

Power: WS35 - 2-6 } 11VA AC
 WS36 - 2-9 } 17W DC
 WS35 - 7-9 } 20 VA AC
 } 17W DC

Connector: Square Plug with LED power indicator light

Protection: IP65

Ambient temp: -10°C to +45°C

Watermark Approval Number - WMKA 21409

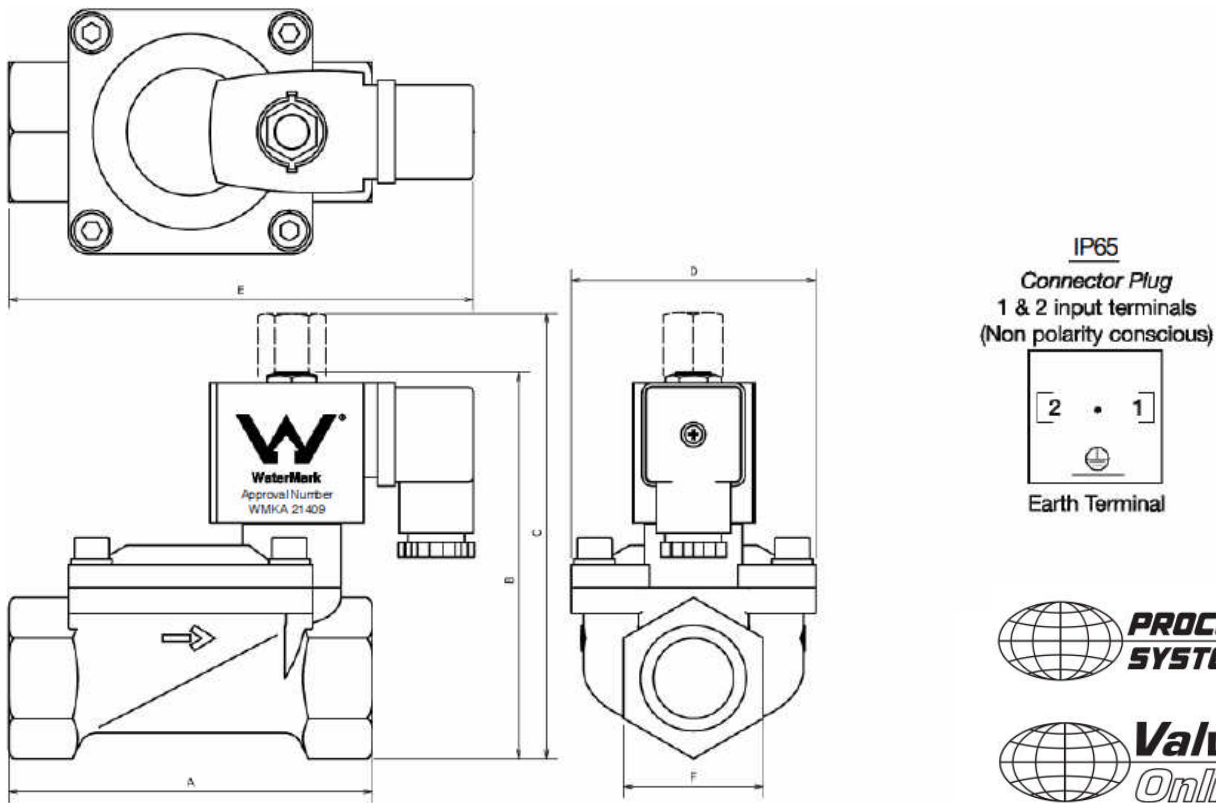
Watermark Series	S35 (Normally Closed)	Port Size - RP 2 - 1/4" 3 - 3/8" 4 - 1/2" 5 - 3/4" 6 - 1" 7 - 1 1/4" 8 - 1 1/2" 9 - 2"	Orifice Size in mm	Voltage 1 - 240V/50Hz 2 - 110V/50Hz 5 - 24V/50Hz 7 - 12V DC 8 - 24V DC	Diaphragm - EPDM
	S36 (Normally Open)				

MODEL Watermark	Function	Port Size RP	Orifice (mm)	CV	Media Pressure		Media Temperature	Weight Kg
					AC*	DC*		
SERVO ASSISTED DIAPHRAGM VALVE - 304 ST.ST.BODY - NORMALLY CLOSED (N.C)								
WS35 - 2-10 - * E	N.C.	1/4	10	2.3	0.3-10	0.3-10	-10°C 80°C	0.5
WS35 - 3-10 - * E		3/8	10	2.3	0.3-10	0.3-10		0.5
WS35 - 4-10 - * E		1/2	10	3	0.3-10	0.3-10		0.5
WS35 - 5-20 - * E		3/4	20	10	0.3-16	0.3-16		1.3
WS35 - 6-25 - * E		1	25	14	0.3-16	0.3-16		1.3
WS35 - 7-40 - * E		1 1/4	40	28	0.7-16	0.7-16		2.6
WS35 - 8-40 - * E		1 1/2	40	34	0.7-16	0.7-16		2.6
WS35 - 9-50 - * E		2	50	50	0.7-16	0.7-16		3.7
SERVO ASSISTED DIAPHRAGM VALVE - 304 ST.ST.BODY - NORMALLY OPEN (N.O)								
WS36 - 4-20 - * E	N.O.	1/2	20	13	0.3-16	0.3-16	-10°C 80°C	1.3
WS36 - 5-20 - * E		3/4	20	13	0.3-16	0.3-16		1.3
WS36 - 6-25 - * E		1	25	18	0.3-16	0.3-16		1.3
WS36 - 7-40 - * E		1 1/4	40	24	0.7-16	0.7-16		2.6
WS36 - 8-40 - * E		1 1/2	40	35	0.7-16	0.7-16		2.6
WS36 - 9-50 - * E	2"	50	45	0.7-16	0.7-16	3.7		

* VOLTAGE CODE: 1 = 240 VAC, 2 = 110VAC, 5 = 24VAC, 7 = 12VDC, 8 = 24VDC

Ordering Example: WS35-4-10-1N 1/2"RP, 2 way N.C., 0.3-10 Bar, 10mm orifice, EPDM diaphragm, 240v AC c/w connector plug.

Dimensions



IMPORTANT - Chemical Resistance:

For specific information on chemical resistance of valve components to various Liquids and Gases, refer to the manufacturer or your distributor.



WS35 / WS36 GENERAL DIMENSION DRAWING - 1/4" RP ~ 2" RP								
VALVE MODEL		SERIES WS35 / WS36 2 WAY NC / 2 WAY NO						
NC	NO	VALVE PORT	A	B	C	D	E	F
WS35 - 2-10		1/4" RP	52	85	-	38	77	26
WS35 - 3-10		3/8" RP	52	85	-	38	77	26
WS35 - 4-10	WS36 - 4-20	1/2" RP	52/109.5	85/115	130	38/70	77/135	26/40
WS35 - 5-20	WS36 - 5-20	3/4" RP	109.5	115	130	70	135	40
WS35 - 6-25	WS36 - 6-25	1" R P	109.5	115	130	70	135	40
WS35 - 7-40	WS36 - 7-40	1 1/4" RP	136	134	143	95	164	55
WS35 - 8-40	WS36 - 8-40	1 1/2" RP	136	134	143	95	164	55
WS35 - 9-50	WS36 - 9-50	2" RP	161	150	160	112	187	70

This data sheet can be downloaded from our website.

PROCESS SYSTEMS PTY LTD
A.B.N. 15 010 932 386

Email: sales@processsystems.com.au
P.O. Box 2070 Wellington Pt. Qld. 4160
Corner Lytton & Ramsay Rd. Hemmant, Brisbane
Queensland 4174 Australia

Website: www.valvesonline.com.au
Int. Fax +61 7 3890 3133
Phone 1300 887 880 (6 lines)
Int. Phone: +61 7 3890 3122

WARNING
These products are intended for use in commercial applications only. Do not use these products where pressures and temperatures can exceed those listed under 'Technical Data' and in our individual '4Series' data sheets. Before using these products with fluids other than those specified, for non-industrial applications, life-support systems, or other applications not within published specifications, consult your PROCESS SYSTEMS PTY LTD.
Through misuse, age, or malfunction, components used in industrial valve applications can fail in various modes. The system designer is warned to consider the failure modes of all component parts used in industrial valve applications and to provide adequate safeguards to prevent personal injury or damage to equipment in the event of such failure. **System designers must provide a warning to the user in the system instructional manual if protection against a failure mode cannot be adequately provided.**
System designers and end users are cautioned to review specific warnings or specifications found in instruction sheets or labels packed or attached and shipped with the products.
Our policy is one of continuous research and development. We therefore reserve the right to amend without notice the specifications given in this document or our individual '4Series' data sheets.
WSOS01 WATERMARK SERIES DATA SHEET

WARRANTY INFORMATION
Water Mark series and all other products manufactured or distributed by Process Systems Pty. Ltd. are warranted by Process Systems to be free of defects in material and workmanship for a period of 1 year from the date of purchase or as the manufacturer warrants. Process Systems obligation under this warranty is limited to repair or replacement of the defective product or refund of the purchase price paid solely at the discretion of Process Systems and provided such defective product is returned to Process Systems freight prepaid and upon examination by Process Systems such product is found defective. This warranty shall be void in the event that the product has been subject to misuse, misapplication, improper maintenance, modification or tampering. This warranty is expressed in lieu of all other warranties, expressed or implied from Process Systems Pty. Ltd. representatives or employees. Process Systems reserves the right to change Valve and Brochure specifications without notice.
REVISION DATE 22/08/09