

#### General Description

A high flow valve with 316 Stainless Steel body and seat, 304/430F stainless steel operator. Suitable for low head and zero head applications. Available in various seat materials including Viton (standard), Silicone, Neoprene & Nitrile. Liquids to 40cst viscosity. Standard coil is weatherproof to IP65 and has LED illuminated plug. Typical Applications include: Marine, food processing, chemical, tank drain or low pressure service & general industry.



Model	Function	Port Size BSP	Orifice Ømm	CV	Pressure (BAR)		Vacuum Hg"	Media Temp	Weight Kg	Features	
					AC	DC					
<b>Direct Plunger Operation – Normally Closed</b>											
S55-2-3	N.C	¼	3	0.26	0-10	0-10	27	-10°C	0.45	Body- 316 S.S.  Seals- Viton (Std) Silicone Neoprene Teflon  Operator- Stainless	Air, Fluid & Vacuum
S55-2-4		¼	4	0.58	0-7	0-7			0.45		
S55-2-5		¼	5	0.64	0-5	0-5			0.45		
S55-3-4		3/8	4	0.58	0-10	0-10			0.75		
S55-3-6		3/8	6	0.79	0-5	0-5			0.75		
S55-3-8		3/8	8	0.97	0-2	0-2			0.75		
S55-4-6	N.C	½	6	0.79	0-5	0-5	27	120°C	0.80	Operator- Stainless	
S55-4-8		½	8	0.97	0-2	0-2			0.80		
<b>Pilot Plunger with Coupled Diaphragm – Normally Closed</b>											
S55-3-15	N.C	3/8	15	4.5	0-10	0-10	27	-10°C	1.00	Body- 316 Stainless Steel  Seals- Viton (Std) Silicone Neoprene Teflon  Operator- Stainless Steel	Air, Fluid & Vacuum  Also available in normally open.
S55-4-15		½	15	4.5	0-10	0-10			1.00		
S55-5-20		¾	20	9.3	0-10	0-10			1.25		
S55-6-25		1	25	13.2	0-10	0-10			1.50		
S55-7-35		1 ¼	35	26	0-10	0-10			2.85		
S55-8-35		1 ½	35	26	0-10	0-10			2.85		
S55-9-50		2	50	48	0-7	0-7			4.80		
S55-6F-25		Flange	25	13.2	0-10	0-10			5.35		
S55-7F-35		Flange	35	26	0-10	0-10			7.25		
S55-8F-35			35	26	0-10	0-10			7.25		
S55-9F-50	N.C	Flange	50	48	0-7	0-7	27	120°C	10.25		

#### IMPORTANT – Chemical Resistance

For specific information on chemical resistance of valve components to various Liquids and Gases, refer to the manufacturer or your distributor. See over page for applications warning. It is the responsibility of the user to determine suitability of the liner and body material to the application.

S5 5 - 4 - 15 - 1 V

Series S5

Function  
5 - normally closed

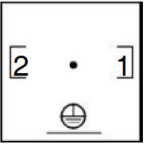
Orifice

Optional Extras

F Flying Leads  
R Silver shading Ring  
Exd Dust & Ignition Proof, Flame Proof

Seat & Diaphragm

V Viton  
S Silicone  
NE Neoprene  
N Nitrile  
T Teflon



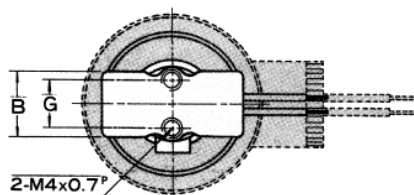
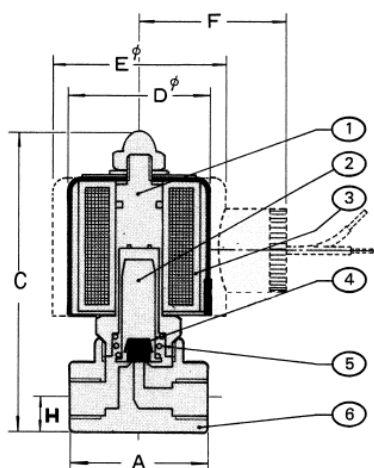
Earth Terminal  
Connector Plug with LED  
1 & 2 Input Terminals  
(Non polarity Conscious)

Code	Ports Size BSP	Code	Voltage	Coil Specifications				
				Model DIN	Power AC (VA)		DC (Watt)	Insulation Grade
1	1/8	1	240v/50Hz	S55-1 to 2	15.4	11.7	12.0	
2	1/4	2	110v/50Hz	S55-3 to 9	24.4	19.8	17.5	F
3	3/8	5	24v/50Hz					
4	1/2	7	12vDC					
5	3/4	8	24vDC					
6	1	9	48vDC					
7	1 1/4	11	415v/50Hz					
8	1 1/2							
9	2							

**HIGH FLOW / DIRECT ACTING / 316 STAINLESS STEEL BODY  
SOLENOID VALVE – NORMALLY CLOSED**

**SERIES  
S55**

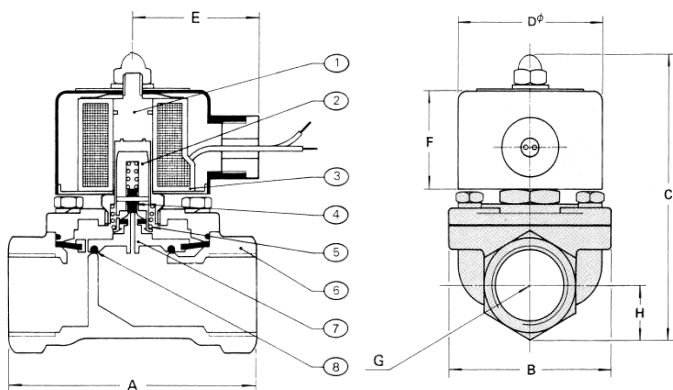
**Direct Plunger**



Unit: mm

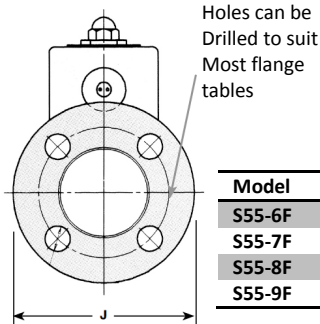
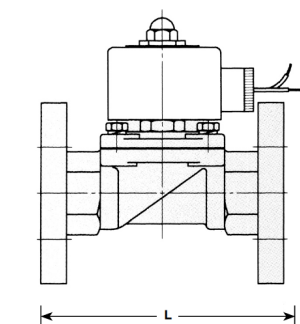
Model	A	B	C	D (Din)	E (Din)	F	G BSP	H
S55-2-3~5	41	19	86.5	41	--	--	1/4	10.5
S55-3-4~8	50	25	91	--	52	45	3/8	11.7
S55-4-6~8	50	27	91	--	52	45	1/2	13.0

**Coupled Diaphragm**



Unit: mm

Model	A	B	C	D (DIN)	E (DIN)	F	G	H
S55-3-15	75	52	103	56	66	41	1/2	14.5
S55-4-15	85	60	114	56	66	41	3/4	18
S55-5-20	100	70	120	56	66	41	1	23
S55-6-25	120	90	140	56	66	41	1 1/4	33
S55-7-35	120	90	140	56	66	41	1 1/2	33
S55-8-35	120	90	140	56	66	41	1 3/4	33
S55-9-50	150	122	160	56	66	41	2	40.5



Model	L	J
S55-6F	130	125
S55-7F	160	135
S55-8F	160	140
S55-9F	200	155

Item	Article	Material
1	Armature	Stainless Steel 304
2	Plunger	Stainless Steel 304
3	Coil	Brass Wire
4	Plunger Seat	Viton, Silicon, Teflon, Neoprene
5	Spring	Stainless Steel 304
6	Valve Body	Stainless Steel 316
7	Diaphragm	Viton, Silicon, Neoprene
8	Leak proof Ring	Viton, Silicon, Neoprene



THIS DATA SHEET CAN BE DOWNLOADED FROM OUR WEB SITE



**PROCESS SYSTEMS PTY LTD**  
A.B.N. 15 010 932 386

Email: [sales@processsystems.com.au](mailto:sales@processsystems.com.au)  
P.O. Box 2070 Wellington Pt. Qld. 4160  
Corner Lytton & Ramsay Rd. Hemmant, Brisbane  
Queensland 4174 Australia

Website: [www.valvesonline.com.au](http://www.valvesonline.com.au)  
Int. Fax +61 7 3890 3133  
Phone 1300 887 880 (6 lines)  
Int. Phone: +61 7 3890 3122

**WARNING**

These products are intended for use in industrial applications only. Do not use these products where pressures and temperatures can exceed those listed under 'Technical Data' and in our individual 'Series' data sheets. Before using these products with fluids other than those specified, for non-industrial applications, life-support systems, or other applications not within published specifications, consult **Process Systems Pty Ltd.**

Through misuse, age, or malfunction, components used in industrial valve applications can fail in various modes. The system designer is warned to consider the failure modes of all component parts used in industrial valve applications and to provide adequate safeguards to prevent personal injury or damage to equipment in the event of such failure. **System designers must provide a warning to the user in the system instructional manual if protection against a failure mode cannot be adequately provided.**

System designers and end users are cautioned to review specific warnings or specifications found in instruction sheets or labels packed or attached and shipped with the products. Our policy is one of continuous research and development. We therefore reserve the right to amend without notice the specifications given in this document or our individual 'Series' data sheets.

**WARRANTY INFORMATION**

Series S55 and all other products manufactured or distributed by Process Systems Pty. Ltd. are warranted by Process Systems to be free of defects in material and workmanship for a period of 1 year from the date of purchase or as the manufacturer warrants. Process Systems obligation under this warranty is limited to repair or replacement of the defective product or refund of the purchase price paid solely at the discretion of Process Systems and provided such defective product is returned to Process Systems freight prepaid and upon examination by Process Systems such product is found defective. This warranty shall be void in the event that the product has been subject to misuse, misapplication, improper maintenance, modification or tampering. This warranty is expressed in lieu of all other warranties, expressed or implied from Process Systems Pty. Ltd. representatives or employees. Process Systems reserves the right to change Valve and Brochure specifications without notice. 01/10