

General Description

Series BLB, Economical 2 Way and 3 Way Brass Ball Valve Pneumatically actuated, double acting or spring return 1/2" - 4" BSP full bore valve (2 way) 1/2" - 2" BSP full bore valve (3 way) Direct pad mount to eliminate dirt ingress into bearings

Typical applications include: water control, compressed air, gases, non-corrosive fluids and general industry

Technical Specifications:

- Nickel plated brass - body and ball
- PTFE Seats
- VITON O-Ring
- 235 psi (16 BAR) maximum media working pressure (2 way)
- 150 psi (10 bar) maximum media working pressure (3 way)
- BSP threaded connections
- Mounting Pad ISO 5211
- Fluid temp -10°C to +100°C

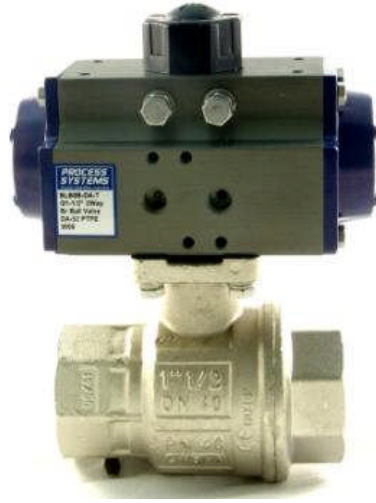
IMPORTANT -

Chemical Resistance:

For specific information on chemical resistance of valve components to various Liquids and Gases, refer to the manufacturer or your distributor.

See overpage for applications warning. It is the responsibility of the user to determine suitability of the seat and body materials to the application.

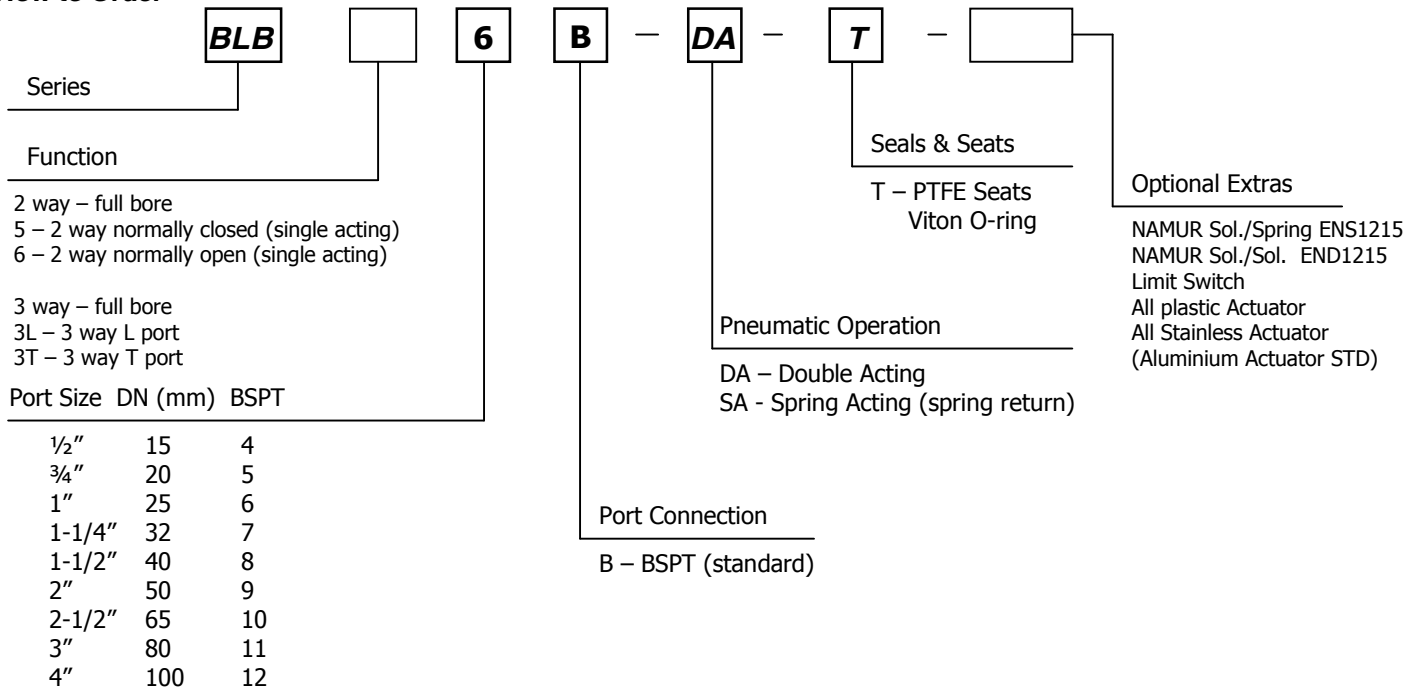
2 WAY BRASS BALL VALVE (Full bore) PN16



3 WAY BRASS BALL VALVE (Full bore) PN10



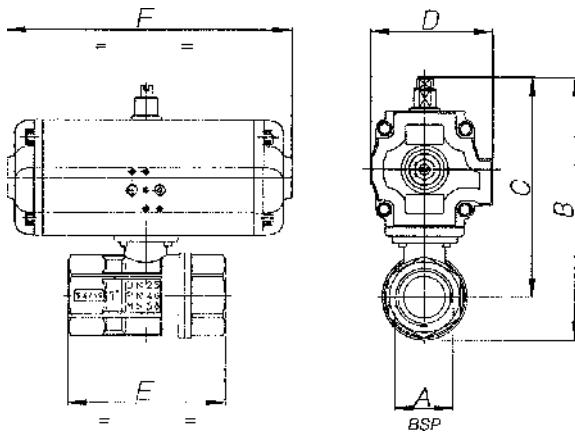
How to Order



Ordering Example: BLB6B-DA-T 2 way 1" BSP Brass Ball Valve c/w double acting pneumatic actuator

2 WAY / 3 WAY BRASS BALL VALVE WITH PNEUMATIC ACTUATOR

2 WAY (FULL BORE)



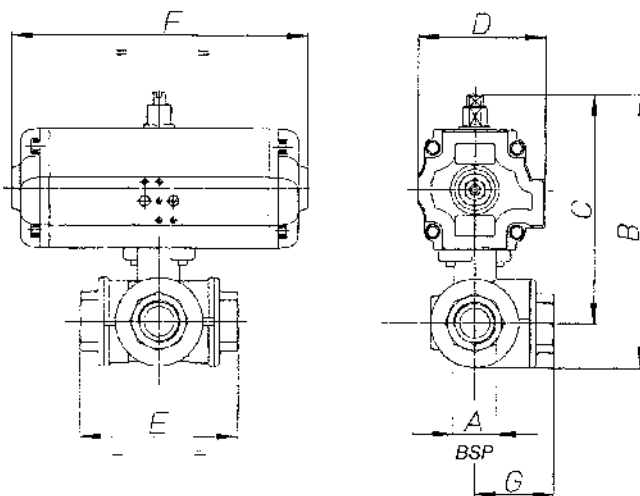
VALVE MOUNTED ON DOUBLE ACTING ACTUATOR

ISO PAD	F03	F03	F03	F03	F03	F03	F05	F05	F07	F07	F07
A	1/4"	3/8"	1/2"	3/4"	1"	1 1/4"	1 1/2"	2"	2 1/2"	3"	4"
B	117	117	117	122	137	146	194	214	249	270	332
C	100	100	100	102	113	116	158	168	193	202	249
D	45	45	45	45	45	45	71	71	80	80	106
E	67	67	67	76	90	102	114	138	157	188	225
F	135	135	135	135	135	135	135	135	156	156	250
ACT	DA52	DA52	DA52	DA52	DA52	DA52	DA52	DA52	DA63	DA63	DA85
kg	0.83	0.83	0.79	0.88	1.2	1.53	2.9	3.86	5.7	7.8	13.7

VALVE MOUNTED ON SPRING RETURN ACTUATOR

ISO PAD	F03	F03	F03	F03	F03	F03	F05	F05	F07	F07	F07
A	1/4"	3/8"	1/2"	3/4"	1"	1 1/4"	1 1/2"	2"	2 1/2"	3"	4"
B	144	144	144	149	164	173	205	225	274	295	345
C	127	127	127	129	140	143	169	179	218	227	262
D	71	71	71	71	71	71	80	80	106	106	123
E	67	67	67	76	90	102	114	138	157	188	225
F	173	173	173	173	173	173	196	196	250	250	297
ACT	SR52	SR52	SR52	SR52	SR52	SR52	SR63	SR63	SR85	SR85	SR100
kg	1.8	1.8	1.76	1.85	2.16	2.5	3.85	4.8	8.44	10.5	17.25

3 WAY L PORT / T PORT (FULL BORE)



VALVE MOUNTED ON DOUBLE ACTING ACTUATOR

ISO PAD	F03	F03	F03	F05	F05	F05	F07	F07
A	1/4"	3/8"	1/2"	3/4"	1"	1-1/4"	1-1/2"	2"
B	134	134	127	132	172	184	202	235
C	120	120	110	112	145	154	165	192
D	45	45	45	45	71	71	71	80
E	52	52	77	87	105	123	139	166
F	135	135	135	135	135	135	156	156
G	52	52	46	46	53	62	70	83
ACT	DA52	DA52	DA52	DA52	DA52	DA52	DA63	DA63
kg	1.0	1.0	1.1	2.3	3.0	3.9	6.3	10.1

VALVE MOUNTED ON SPRING RETURN ACTUATOR

ISO PAD	F03	F03	F03	F05	F05	F05	F07	F07
A	1/4"	3/8"	1/2"	3/4"	1"	1 1/4"	1 1/2"	2"
B	161	161	154	159	172	184	213	230
C	147	147	137	139	148	154	177	217
D	71	71	71	71	71	71	80	106
E	52	52	77	87	108	123	139	166
F	173	173	173	173	173	173	196	250
G	39	39	39	44	53	62	70	83
ACT	SR52	SR52	SR52	SR63	SR63	SR63	SR85	SR85
kg	2.0	2.0	2.1	3.25	4.0	4.2	9.0	12.8



This data sheet can be downloaded from our website.

PROCESS SYSTEMS PTY LTD

A.B.N. 15 010 932 386

Email: sales@processsystems.com.au

P.O. Box 2070 Wellington Pt. Qld. 4160

Corner Lytton & Ramsay Rd. Hemmant, Brisbane

Queensland 4174 Australia

Website: www.valvesonline.com.au

Int. Fax +61 7 3890 3133

Phone 1300 887 880 (6 lines)

Int. Phone: +61 7 3890 3122

WARNING

These products are intended for use in industrial applications only. Do not use these products where pressures and temperatures can exceed those listed under 'Technical Data' and in our individual 'Series' data sheets. Before using these products with fluids other than those specified, for non-industrial applications, life-support systems, or other applications not within published specifications, consult **Process Systems Pty Ltd.**

Through misuse, age, or malfunction, components used in industrial valve applications can fail in various modes. The system designer is warned to consider the failure modes of all component parts used in industrial valve applications and to provide adequate safeguards to prevent personal injury or damage to equipment in the event of such failure. **System designers must provide a warning to the user in the system instructional manual if protection against a failure mode cannot be adequately provided.**

System designers and end users are cautioned to review specific warnings or specifications found in instruction sheets or labels packed or attached and shipped with the products.

Our policy is one of continuous research and development. We therefore reserve the right to amend without notice the specifications given in this document or our individual 'Series' data sheets.

WARRANTY INFORMATION

Series BLB and all other products manufactured or distributed by Process Systems Pty. Ltd. are warranted by Process Systems to be free of defects in material and workmanship for a period of 1 year from the date of purchase or as the manufacturer warrants. Process Systems obligation under this warranty is limited to repair or replacement of the defective product or refund of the purchase price paid solely at the discretion of Process Systems and provided such defective product is returned to Process Systems freight prepaid and upon examination by Process Systems such product is found defective. This warranty shall be void in the event that the product has been subject to misuse, misapplication, improper maintenance, modification or tampering. This warranty is expressed in lieu of all other warranties, expressed or implied from Process Systems Pty. Ltd. representatives or employees. Process Systems reserves the right to change Valve and Brochure specifications without notice.