

**'Econo'** Series

The BFK range of Wafer style ductile iron Butterfly valves are available with pneumatic, electric or manual actuation.

Manual

Part Number	Nominal Diameter		Manual Operation
	mm	inches	Lever
BFK50-L-E	50	2	√
BFK65-L-E	65	2 1/2	√
BFK80-L-E	80	3	√
BFK100-L-E	100	4	√
BFK125-L-E	125	5	√
BFK150-L-E	150	6	√
BFK200-L-E	200	8	√
BFK250-L-E	250	10	√
BFK300-L-E	300	12	√

For Manually operated sizes over 300mm please see our BFD series.

Pneumatic

Part Number	Nominal Diameter		Pneumatic Operation	
	mm	inches	Double Acting	Spring Return
BFK50-DA/SA-E	50	2	DA52	SR52
BFK65-DA/SA-E	65	2 1/2	DA52	SR63
BFK80-DA/SA-E	80	3	DA63	SR75
BFK100-DA/SA-E	100	4	DA63	SR75
BFK125-DA/SA-E	125	5	DA75	SR85
BFK150-DA/SA-E	150	6	DA85	SR100
BFK200-DA/SA-E	200	8	DA115	SR115
BFK250-DA/SA-E	250	10	DA115	SR140
BFK300-DA/SA-E	300	12	DA140	SR180

For pneumatically actuated sizes over 300mm please see our BFD series.

Electric

Part Number	mm	Inches	Electric Operation
BFK50 E*-E	50	2	OM-1
BFK65 E*-E	65	2 1/2	OM-1
BFK80 E*-E	80	3	OM-1
BFK100 E*-E	100	4	OM-A

\* Voltage Code; 1 - 240vAC, 2 - 110vAC, 5 - 24vAC, 7 - 12vDC, 8 - 24vDC

For electrically actuated sizes over 300mm please see our BFD series.

**IMPORTANT – Chemical Resistance**

For specific information on chemical resistance of valve components to various Liquids and Gases, refer to the manufacturer or your distributor.

see over page for applications warning. It is the responsibility of the user to determine suitability of the liner and body material to the application.



**Technical Specifications;**

Disc: 304 S.S  
 Seat: EPDM  
 Working Pressure: 16 bar (230psi) wet, 10 bar (150psi) dry and Vacuum to 28"Hg (-900mbar)  
 Applications: Irrigation, Water Trucks, Vacuum conveying, General Industry control apps

For other materials of construction or operational service such as powders, cement or slurry please consult our office.

**Electric Actuator:**

Series OM (see separate OM data sheet). Heavy duty electric actuators IP67 with manual override, position indicator and internal micro-switch for end of travel indication.

**Pneumatic Actuator:**

Series DA/SA rack and pinion style. Double acting or spring return. Aluminium body with NBR seals. End of travel integral adjustment. Direct pad mount - Namur interface. Optional with Namur direct mounted solenoid, flow controls, silencers and LED indicator plugs, 5/2 spring return or double solenoid.

Optional microswitch box (see SK-100 data sheet).

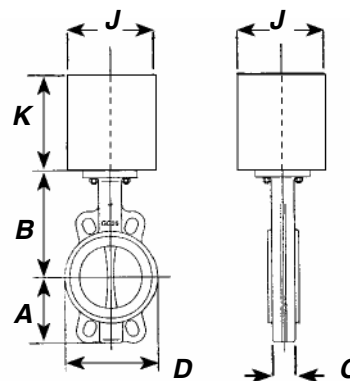


Optional Namur Solenoid

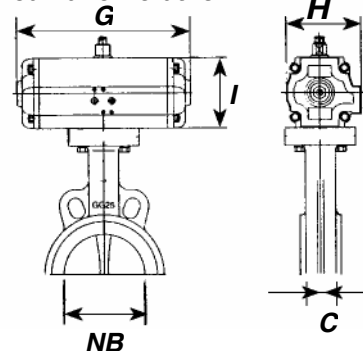
Optional Speed Control.

Optional Exhaust Silencer.

**Electric Actuator**



**Pneumatic Actuator**



Size (NB)	A	B	C	D	G - DA	G - SR	H - DA	H - SR	I - DA	I - SR	K	J
DN50	74	130	43	95	139.5	139.5	71	71	69.5	69.5	106	155
DN65	79	146	46	110	139.5	162	71	80.5	69.5	80.5	106	155
DN80	85	154	46	130	162	207	80.5	148	80.5	97	106	155
DN100	101	167	52	150	162	207	80.5	148	80.5	97	106	200
DN125	112	180	56	185	207	237.5	148	106	97	108.5	106	200
DN150	125	195	56	210	237.5	271.5	106	123	108.5	121.5	255	326
DN200	156	230	60	265	328	328	137	137	141.5	141.5	255	326
DN250	192	270	68	320	328	428	137	164	141.5	176	317	394
DN300	242	300	78	375	428	482	164	204	176	222	317	394



THIS DATA SHEET CAN BE DOWNLOADED FROM OUR WEB SITE



**PROCESS SYSTEMS PTY LTD**  
A.B.N. 15 010 932 386

Email: [sales@processsystems.com.au](mailto:sales@processsystems.com.au)  
 P.O. Box 2070 Wellington Pt. Qld. 4160  
 Corner Lytton & Ramsay Rd. Hemmant, Brisbane  
 Queensland 4174 Australia

Website: [www.valvesonline.com.au](http://www.valvesonline.com.au)  
 Int. Fax +61 7 3890 3133  
 Phone 1300 887 880 (6 lines)  
 Int. Phone: +61 7 3890 3122

**WARNING**

These products are intended for use in industrial applications only. Do not use these products where pressures and temperatures can exceed those listed under 'Technical Data' and in our individual 'Series' data sheets. Before using these products with fluids other than those specified, for non-industrial applications, life-support systems, or other applications not within published specifications, consult **Process Systems Pty Ltd.**

Through misuse, age, or malfunction, components used in industrial valve applications can fail in various modes. The system designer is warned to consider the failure modes of all component parts used in industrial valve applications and to provide adequate safeguards to prevent personal injury or damage to equipment in the event of such failure. **System designers must provide a warning to the user in the system instructional manual if protection against a failure mode cannot be adequately provided.**

System designers and end users are cautioned to review specific warnings or specifications found in instruction sheets or labels packed or attached and shipped with the products. Our policy is one of continuous research and development. We therefore reserve the right to amend without notice the specifications given in this document or our individual 'Series' data sheets.

**WARRANTY INFORMATION**

Series BFK and all other products manufactured or distributed by Process Systems Pty. Ltd. are warranted by Process Systems to be free of defects in material and workmanship for a period of 1 year from the date of purchase or as the manufacturer warrants. Process Systems obligation under this warranty is limited to repair or replacement of the defective product or refund of the purchase price paid solely at the discretion of Process Systems and provided such defective product is returned to Process Systems freight prepaid and upon examination by Process Systems such product is found defective. This warranty shall be void in the event that the product has been subject to misuse, misapplication, improper maintenance, modification or tampering. This warranty is expressed in lieu of all other warranties, expressed or implied from Process Systems Pty. Ltd. representatives or employees. Process Systems reserves the right to change Valve and Brochure specifications without notice. 11/09