

The BFD range of Wafer style ductile iron Butterfly valves are available with pneumatic, electric or manual actuation. The cartridge designed seat allows easy replacement and maintenance, saving on down time and inventory.

Part Number	Nominal Diameter		Manual Operation	
	mm	inches	Lever	Gear box
BFD50-L-S-E	50	2	✓	✓
BFD65-L-S-E	65	2 1/2	✓	✓
BFD80-L-S-E	80	3	✓	✓
BFD100-L-S-E	100	4	✓	✓
BFD125-L-S-E	125	5	✓	✓
BFD150-L-S-E	150	6	✓	✓
BFD200-L-S-E	200	8	✓	✓
BFD250-L-S-E	250	10	✓	✓
BFD300-L-S-E	300	12		✓
BFD350-L-S-E	350	14		✓
BFD400-L-S-E	400	16		✓
BFD450-L-S-E	450	18		✓
BFD500-L-S-E	500	20		✓
BFD600-L-S-E	600	24		✓



Part Number	Nominal Diameter		Pneumatic Operation	
	mm	inches	Double Acting	Spring Return
BFD50-DA/SA-SE	50	2	DA52	SR52
BFD65-DA/SA-SE	65	2 1/2	DA52	SR63
BFD80-DA/SA-SE	80	3	DA63	SR75
BFD100-DA/SA-SE	100	4	DA63	SR75
BFD125-DA/SA-SE	125	5	DA75	SR85
BFD150-DA/SA-SE	150	6	DA85	SR100
BFD200-DA/SA-SE	200	8	DA115	SR115
BFD250-DA/SA-SE	250	10	DA115	SR140
BFD300-DA/SA-SE	300	12	DA140	SR180
BFD350-DA/SA-SE	350	14	DA160	SR200
BFD400-DA/SA-SE	400	16	DA200	SR240
BFD450-DA/SA-SE	450	18	DA240	SR240
BFD500-DA/SA-SE	500	20	DA240	SR270
BFD600-DA/SA-SE	600	24	DA270	



Part Number	mm	Inches	Electric Operation
BFD50 E*-SE	50	2	0M-1
BFD65 E*-SE	65	2 1/2	0M-1
BFD80 E*-SE	80	3	0M-1
BFD100 E*-SE	100	4	0M-A
BFD125 E*-SE	125	5	0M-A
BFD150 E*-SE	150	6	0M-2
BFD200 E*-SE	200	8	0M-3
BFD250 E*-SE	250	10	0M-4
BFD300 E*-SE	300	12	0M-5
BFD350 E*-SE	350	14	0M-6
BFD400 E*-SE	400	16	0M-7
BFD450 E*-SE	450	18	0M-8
BFD500 E*-SE	500	20	0M-9
BFD600 E*-SE	600	24	0M-11



* Voltage Code; 1 - 240vAC, 2 - 110vAC, 5 - 24vAC, 7 - 12vDC, 8 - 24vDC, 11 - 415vAC

Technical Specifications;

Disc: 316 S.S
 Seat: EPDM (standard), Viton
 Working Pressure: 16 bar (230psi) wet, 10 bar (150psi) dry and Vacuum to 28"Hg (-900mbar)
 Applications: Irrigation, Water Trucks, Vacuum conveying, General Industry control apps

For other materials of construction or operational service such as powders, cement or slurry please consult our office.

Electric Actuator:

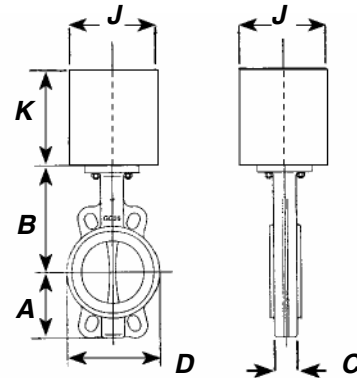
Series OM (see separate OM data sheet). Heavy duty electric actuators IP67 with manual override, position indicator and internal micro-switch for end of travel indication.

Pneumatic Actuator:

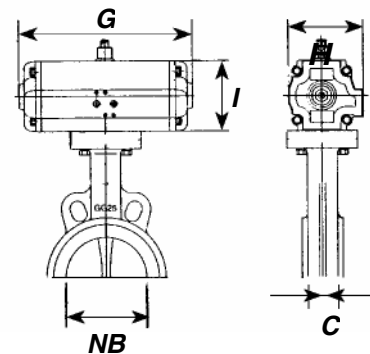
Series DA/SA rack and pinion style. Double acting or spring return. Aluminium body with NBR seals. End of travel integral adjustment. Direct pad mount - Namur interface. Optional with Namur direct mounted solenoid, flow controls, silencers and LED indicator plugs, 5/2 spring return or double solenoid. Optional microswitch box (see SK-100 data sheet).



Electric Actuator



Pneumatic Actuator



Size (NB)	A	B	C	D	G - DA	G - SR	H - DA	H - SR	I - DA	I - SR	K	J
DN50	126	72	43	65	139.5	139.5	71	71	69.5	69.5	106	155
DN65	134	82	46	65	139.5	162	71	80.5	69.5	80.5	106	155
DN80	157	95.5	46	65	162	207	80.5	148	80.5	97	106	155
DN100	167	113.5	52	90	162	207	80.5	148	80.5	97	106	200
DN125	180	129	56	90	207	237.5	148	106	97	108.5	106	200
DN150	203	142	56	90	237.5	271.5	106	123	108.5	121.5	255	326
DN200	228	172	60	125	328	328	137	137	141.5	141.5	255	326
DN250	266	213	68	125	328	428	137	164	141.5	176	317	394
DN300	291	242	78	150	428	482	164	204	176	222	317	394



THIS DATA SHEET CAN BE DOWNLOADED FROM OUR WEB SITE



PROCESS SYSTEMS PTY LTD
 A.B.N. 15 010 932 386

Email: sales@processsystems.com.au
 P.O. Box 2070 Wellington Pt. Qld. 4160
 Corner Lytton & Ramsay Rd. Hemmant, Brisbane
 Queensland 4174 Australia

Website: www.valvesonline.com.au
 Int. Fax +61 7 3890 3133
 Phone 1300 887 880 (6 lines)
 Int. Phone: +61 7 3890 3122

WARNING

These products are intended for use in industrial applications only. Do not use these products where pressures and temperatures can exceed those listed under 'Technical Data' and in our individual 'Series' data sheets. Before using these products with fluids other than those specified, for non-industrial applications, life-support systems, or other applications not within published specifications, consult **Process Systems Pty Ltd.**

Through misuse, age, or malfunction, components used in industrial valve applications can fail in various modes. The system designer is warned to consider the failure modes of all component parts used in industrial valve applications and to provide adequate safeguards to prevent personal injury or damage to equipment in the event of such failure. **System designers must provide a warning to the user in the system instructional manual if protection against a failure mode cannot be adequately provided.**

System designers and end users are cautioned to review specific warnings or specifications found in instruction sheets or labels packed or attached and shipped with the products. Our policy is one of continuous research and development. We therefore reserve the right to amend without notice the specifications given in this document or our individual 'Series' data sheets.

WARRANTY INFORMATION

Series BFD and all other products manufactured or distributed by Process Systems Pty. Ltd. are warranted by Process Systems to be free of defects in material and workmanship for a period of 1 year from the date of purchase or as the manufacturer warrants. Process Systems obligation under this warranty is limited to repair or replacement of the defective product or refund of the purchase price paid solely at the discretion of Process Systems and provided such defective product is returned to Process Systems freight prepaid and upon examination by Process Systems such product is found defective. This warranty shall be void in the event that the product has been subject to misuse, misapplication, improper maintenance, modification or tampering. This warranty is expressed in lieu of all other warranties, expressed or implied from Process Systems Pty. Ltd. representatives or employees. Process Systems reserves the right to change Valve and Brochure specifications without notice. 09/09