

'Econo' Series

General Description

An economical general purpose industrial solenoid valve with encapsulated coil and LED connector plug. The soft close function helps reduces water hammer and is suitable for non aggressive media up to 40 CST viscosity. Typical applications include: Water Control, Mechanical Services, Fluid Control, Irrigation, Air, Inert Gases and Light Oils.

Technical Specifications

Fluid temperature: -10°C to 80°C
 Materials in contact: Body - Brass or Stainless Steel
 Shading Ring: Copper
 Operator: Stainless Steel
 Seat: Nitrile NBR
 Backing Washer: POM/SS304
 Voltage variation: +10% -10% AC/DC
 Duty rate: 100% (class F insulation)
 Power: B35/S35 - 2~6 } 11 VA AC
 B36/S36 - 2~9 } 15W DC
 B35 - 7~9 } 20VA AC
 S35 - 7~9 } 20W DC
 Connector: Square Plug with LED power light
 Protection: IP65
 Ambient temp: -10°C to +45°C



www.valvesonline.com.au

MODEL 'ECONO'	FUNCTION PORT SIZE BSP	ORIFICE 0mm	CV	PRESSURE (BAR)		MEDIA TEMP (Nitrile)	WEIGHT kg
				AC	DC		

SERVO ASSISTED DIAPHRAGM VALVE - BRASS BODY - NORMALLY CLOSED (N.C)

B35 - 2-10 - * N	N.C.	1/4	10	2.3	0.3-10	0.3-10	-10°C	0.5
B35 - 3-10 - * N		3/8	10	2.3	0.3-10	0.3-10		0.5
B35 - 4-10 - * N		1/2	10	3	0.3-10	0.3-10		0.5
B35 - 4-14 - * N		1/2	14	5	0.3-10	0.3-10		0.7
B35 - 5-14 - * N		3/4	14	5	0.3-10	0.3-10		1.4
B35 - 5-20 - * N		3/4	20	10	0.3-16	0.3-16		1.3
B35 - 6-20 - * N		1	20	11	0.3-16	0.3-16		1.3
B35 - 7-40 - * N		1 1/4	40	28	0.7-16	0.7-16		2.9
B35 - 8-40 - * N		1 1/2	40	34	0.7-16	0.7-16		2.8
B35 - 9-50 - * N	N.C.	2	50	50	0.7-16	0.7-16	80°C	4.2

SERVO ASSISTED DIAPHRAGM VALVE - BRASS BODY - NORMALLY OPEN (N.O)

B36 - 4 - 14 - * N	N.O.	1/2	14	5	0.3-10	0.3-10	-10°C	0.7
B36 - 5 - 20 - * N		3/4	20	10	0.3-16	0.3-16		1.3
B36 - 6 - 20 - * N		1	20	11	0.3-16	0.3-16		1.3
B36 - 7 - 40 - * N		1 1/4	40	28	0.7-16	0.7-16		2.1
B36 - 8 - 40 - * N		1 1/2	40	34	0.7-16	0.7-16		2.8
B36 - 9 - 50 - * N	N.O.	2	50	50	0.7-16	0.7-16	80°C	4.2

SERVO ASSISTED DIAPHRAGM VALVE - 304 ST.ST.BODY - NORMALLY CLOSED (N.C)

S35 - 2-10 - * N	N.C.	1/4	10	2.3	0.3-10	0.3-10	-10°C	0.5
S35 - 3-10 - * N		3/8	10	2.3	0.3-10	0.3-10		0.5
S35 - 4-10 - * N		1/2	10	3	0.3-10	0.3-10		0.5
S35 - 5-20 - * N		3/4	20	10	0.3-16	0.3-16		1.3
S35 - 6-25 - * N		1	20	14	0.3-16	0.3-16		1.3
S35 - 7-40 - * N		1 1/4	40	28	0.7-16	0.7-16		2.6
S35 - 8-40 - * N		1 1/2	40	34	0.7-16	0.7-16		2.6
S35 - 9-50 - * N	N.C.	2	50	50	0.7-16	0.7-16	80°C	3.7

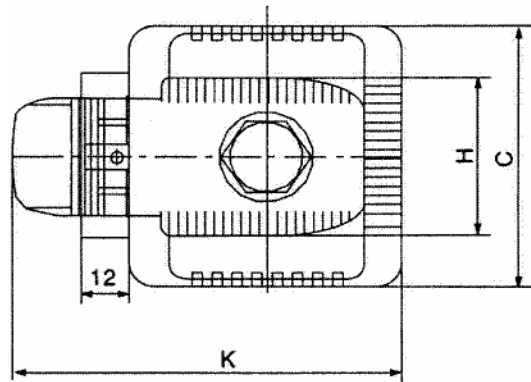
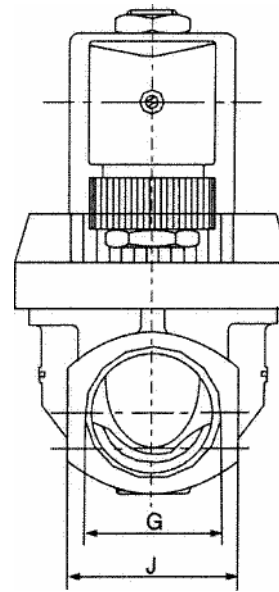
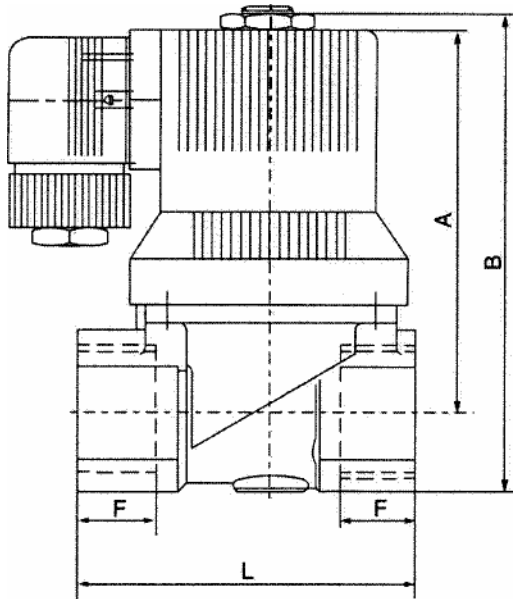
SERVO ASSISTED DIAPHRAGM VALVE - 304 ST.ST.BODY - NORMALLY OPEN (N.O)

S36 - 4 - 20 - * N	N.O.	1/2	20	9	0.3-16	0.3-16	-10°C	1.3
S36 - 5 - 20 - * N		3/4	20	10	0.3-16	0.3-16		1.3
S36 - 6 - 25 - * N		1	20	14	0.3-16	0.3-16		1.3
S36 - 7 - 40 - * N		1 1/4	40	28	0.7-16	0.7-16		2.6
S36 - 8 - 40 - * N		1 1/2	40	34	0.7-16	0.7-16		2.6
S36 - 9 - 50 - * N	N.O.	2	50	50	0.7-16	0.7-16	80°C	3.7

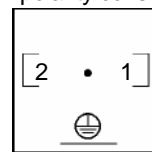
* VOLTAGE CODE: 1 = 240VAC, 2 = 110VAC,
 5 = 24VAC, 7 = 12VDC, 8 = 24VDC

Ordering Example: B35-4-10-1N 1/2"BSP, 2 way N.C., 0.3-10 Bar,
 10mm orifice, NBR diaphragm, 240v AC c/w connector plug.

Dimensions



Connector Plug
1 & 2 input terminals
(Non polarity conscious)



Earth Terminal



IMPORTANT - Chemical Resistance:

For specific information on chemical resistance of valve components to various Liquids and Gases, refer to the manufacturer or your distributor.

MODEL	G	C	F	L	J	A	B	H	K
B35/S35-2-10	G1/4	38	12	51	26	71	85	35	80
B35/S35-3-10	G3/8	38	12	51	26	71	85		
B35/B36/S35-4-10	G1/2	38	12	52	26	77/98	85		
B35/B36-4-14	G1/2	45	12	66	26	80	90/112		
B35-5-14	G3/4	44	14	61	32	98/110	96		
B35/B36-5-20	G3/4	65	18	84	41	98/110	117/135		
B35/B36-6-20	G1	65	18	84	41	110/120	117/135		
B35/B36/S35/S36-7-40	G1 1/4	96	20	132	58	110/120	140/153		
B35/B36/S35/S36-8-40	G1 1/2	96	20	132	58	110/120	140/153		
B35/B36/S35/S36-9-50	G2	111	22	160	71	126/135	166/180		

This data sheet can be downloaded from our website.

PROCESS SYSTEMS PTY LTD

A.B.N. 15 010 932 386

Email: sales@processsystems.com.au

P.O. Box 2070 Wellington Pt. Qld. 4160

Corner Lytton & Ramsay Rd. Hemmant, Brisbane
Queensland 4174 Australia

Website: www.valvesonline.com.au

Int. Fax +61 7 3890 3133

Phone 1300 887 880 (6 lines)

Int. Phone: +61 7 3890 3122

WARNING

These products are intended for use in industrial applications only. Do not use these products where pressures and temperatures can exceed those listed under 'Technical Data' and in our individual 'Series' data sheets. Before using these products with fluids other than those specified, for non-industrial applications, life-support systems, or other applications not within published specifications, consult the manufacturer. Through misuse, age, or malfunction, components used in industrial valve applications can fail in various modes. The system designer is warned to consider the failure modes of all component parts used in industrial valve applications and to provide adequate safeguards to prevent personal injury or damage to equipment in the event of such failure.

System designers must provide a warning to the user in the system instructional manual if protection against a failure mode cannot be adequately provided.

System designers and end users are cautioned to review specific warnings or specifications found in instruction sheets or labels packed or attached and shipped with the products.

Our policy is one of continuous research and development. We therefore reserve the right to amend without notice the specifications given in this document or our individual 'Series' data sheets.

B35/B3601

WARRANTY INFORMATION

Series B35 B36 S35 S36 and all other products manufactured or distributed by Process Systems Pty. Ltd. are warranted by Process Systems to be free of defects in material and workmanship for a period of 1 year from the date of purchase or as the manufacturer warrants. Process Systems obligation under this warranty is limited to repair or replacement of the defective product or refund of the purchase price paid solely at the discretion of Process Systems and provided such defective product is returned to Process Systems freight prepaid and upon examination by Process Systems such product is found defective. This warranty shall be void in the event that the product has been subject to misuse, misapplication, improper maintenance, modification or tampering. This warranty is expressed in lieu of all other warranties, expressed or implied from Process Systems Pty. Ltd. representatives or employees. Process Systems reserves the right to change Valve and Brochure specifications without notice.